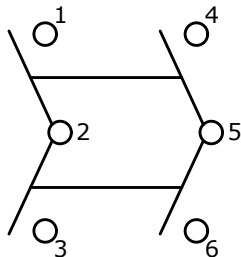


RECOMMENDED PANEL CUT-OUT

PANEL THICKNESS	X
1.0 - 1.5	37.3 <sup>+0.0</sup> / <sub>-0.1</sub>
2.5 - 3.0	37.5 <sup>+0.0</sup> / <sub>-0.1</sub>
3.5 - 4.5	37.7 <sup>+0.0</sup> / <sub>-0.1</sub>

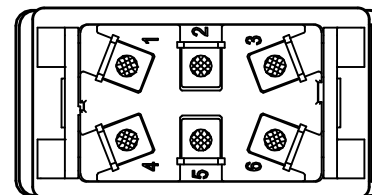
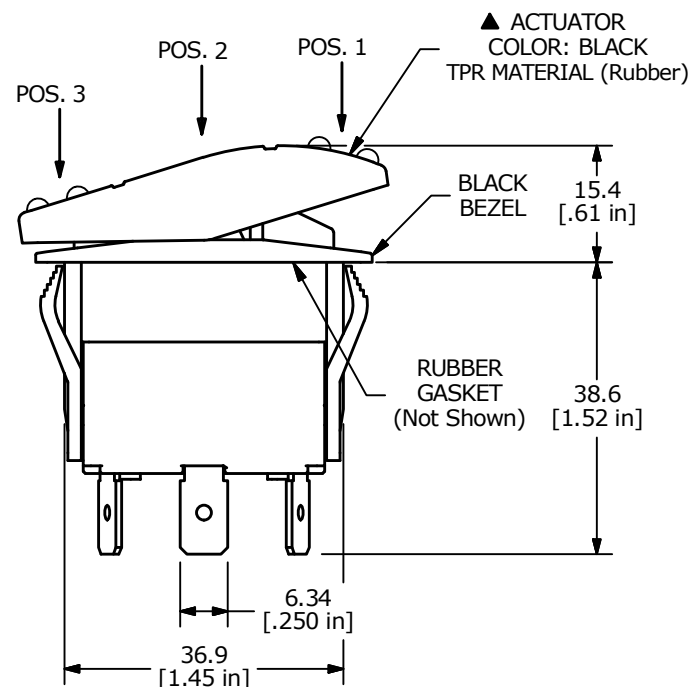
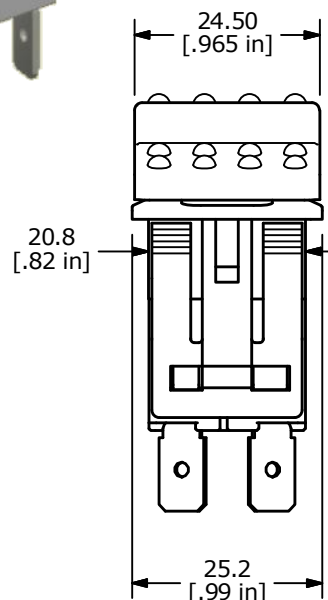
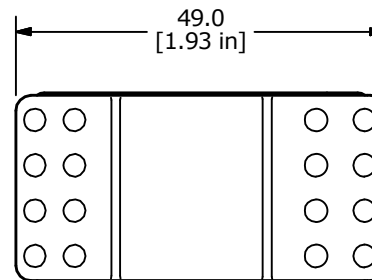
▲ SWITCH FUNCTION		
POS. 1	POS. 2	POS. 3
ON	OFF	ON
1-2; 4-5	OFF	2-3; 5-6



CIRCUIT: DPDT  
ON - OFF - ON

NOTES:

1. ALL DIMENSIONS IN MM [INCH]
2. GENERAL TOLERANCE: X.X = ±0.4  
X.XX = ±0.25
3. TERM. NUMBERS FOR REF. ONLY
4. RATING: 16A @ 30VDC, 50/60 Hz, µT85/55  
UL LISTED
5. ELECTRICAL LIFE: 10,000 CYCLES
6. MECHANICAL LIFE: 30,000 CYCLES
7. CONTACT RESISTANCE: <20 MILLI-OHMS INITIAL
8. DIELECTRIC STRENGTH: >1,500V AC 1MIN
9. INSULATION RESISTANCE: >100 MOHMS @ 500VDC
10. OPERATING TEMP: 0°C to 85°C
11. LED VOLTAGE: N/A
12. ▲ DENOTES CRITICAL PARAMETER.



A	23932	New Release	6/20/19	MW
REV	PCR NO	DESCRIPTION	DATE	BY

TITLE R723FA1-SXXXNB4NNX				
SCALE 1:1	DATE 6/19/2019	DR MW	DWG C700043	REV A

THE INFORMATION CONTAINED IN THIS DOCUMENT IS PROPRIETARY TO E-SWITCH AND IS NOT TO BE COPIED OR TRANSFERRED